

MD500L series

Elevator open loop AC Drive




Forward, Always Progressing

Elevator open loop AC Drive

Application Features

- Smooth ride performance
- Integrated brake control
- UPS/ARD (sine & quasi square type) rescue light load direction sensing
- 5 independent S-Ramps
- Easy setup with default factory setting, gets you started quickly
- Programmable DC injection braking

Enhanced reliability with conformal coating, protects against humidity and pollution by dust

Operation in high  45°C_{avg} ambient temperatures

Wide operating voltage range
323 to 528Vac

Cooling fan removable for easy maintenance

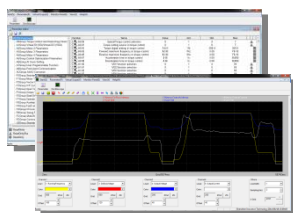


Optional: Hot pluggable remote keypad



With/without memory

*1PC-Tools Software
simplified start up & backup



*1 Compatible with Window 7

3.7kW~15kW

Inverter Key Features

- Automatic torque boost
- Slip compensation
- Flexible programmable I/O's
- Onboard Modbus-RTU
- Comprehensive trip diagnostics
- Built-in dynamic braking unit
- Output frequency 0.00~100.00Hz



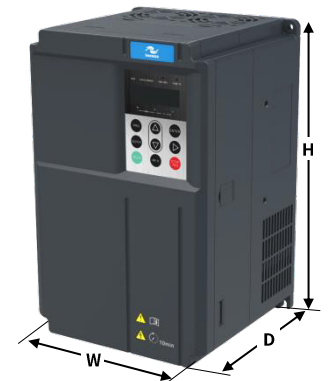
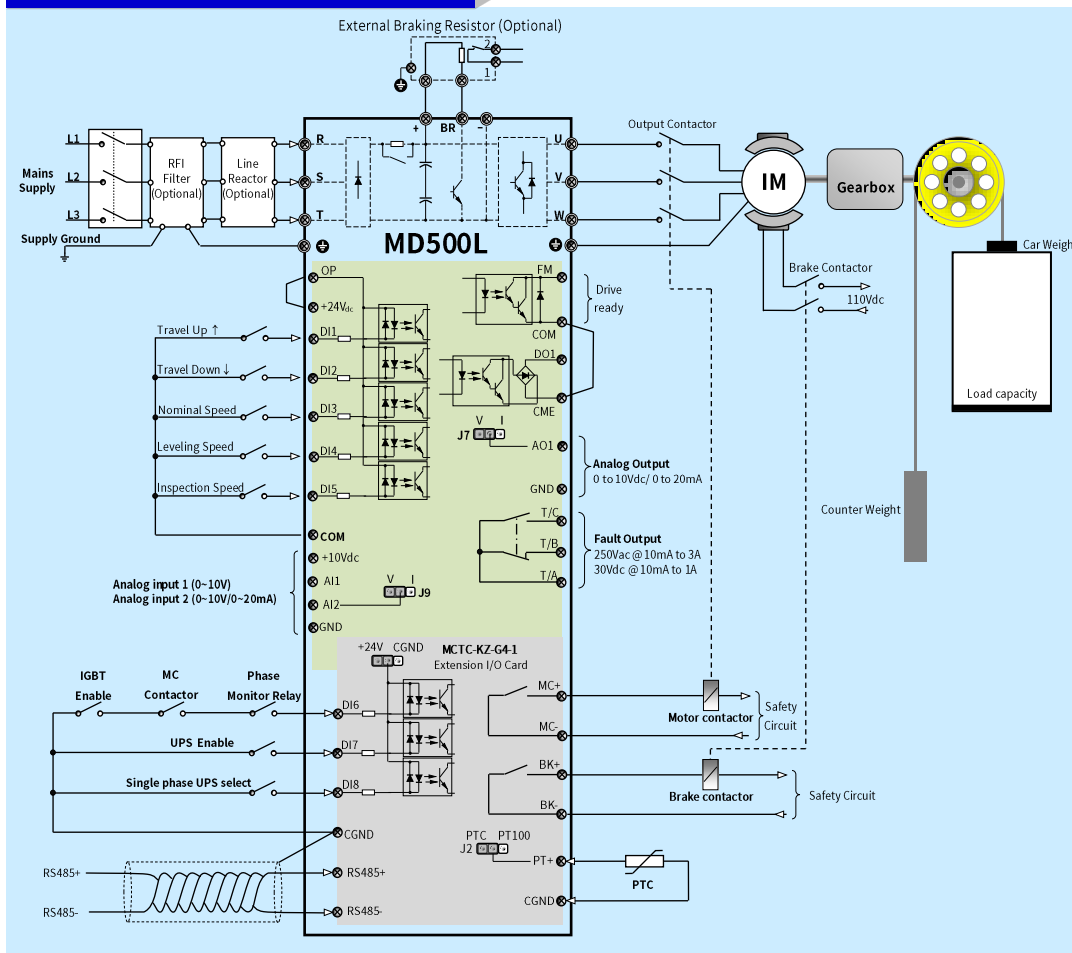
General Specifications

Drive Model		MD500L-T3.7GBO	MD500L-T5.5GBO	MD500L-T7.5GBO	MD500L-T11GBO	MD500L-T15GBO	
Dimension	Height	[H]: 200 mm		[H]: 250 mm		[H]: 280 mm	
	Width	[W]: 130 mm		[W]: 140 mm		[W]: 180 mm	
	Depth	[D]: 162 mm		[D]: 170 mm		[D]: 170 mm	
Drive Input	Rated Input Voltage	3 phase 380 to 480V, -15% to +10% (323Vac to 528Vac)					
	Rated Input Current [A]	11.4	16.7	21.9	32.2	41.3	
	Rated input frequency	50/60 Hz, ±5% (47.5 to 63Hz)					
Drive Output	Applicable Motor	[kW]	3.7	5.5	7.5	11	15
		[HP]	5	7.5	10.0	15	20
	Output Current [A]*2		9	13	17.0	25	32
	Power Capacity [kVA]		5.9	8.9	11	17	21
	Overload Capacity		150% for 60 Sec & 180% for 3 Sec				
	Max. output voltage		Three-phase 380Vac to 480Vac (Proportional to input voltage)				
	Max. output frequency		100.00 Hz				
Braking Resistor	Recommended power [W]	750	1200	1500	2500	3000	
	Recommended resistance [Ω]	≥ 130	≥ 90	≥ 65	≥ 43	≥ 32	
Enclosure				IP20			

*2Carrier switching frequency 6kHz at rated output current

** All units are fan cooled

General Connection Diagram





An Inovance Company

We Pioneered NICE Integrated Solutions for Elevators
>3,720,000 Installations Worldwide



For more information, please contact our local offices.

International Offices

Germany-Stuttgart
Tel: +49 (0) 7144 8990
sales.de@inovance.eu

Spain-Barcelona
Tel: +34 93 504 94 48
sales.es@inovance.eu

India
Head Office Chennai Tel: +91 (0) 44 4380 0201
Ahmedabad Tel: +91 (0) 79 4003 4274
Mumbai Tel: +91 (0) 22 4971 5883
Noida Tel: +91 (0) 120 404 3522
Hyderabad Tel: +91 (0) 40 4951 6431

Hong Kong SAR
International export office
Tel: +852 2751 6080
info@inovance.eu

For other country distributors,
contact the Hong Kong office.

Inovance Technology Companies
Shenzhen Inovance Technology Co. Ltd.
Suzhou Inovance Technology Co. Ltd.

Italy-Milano
Tel: +39 (0) 2268 22318
sales.it@inovance.eu

Turkey-Istanbul
Tel: +90 (216) 466 7600
sales.tr@inovance.eu

Sales Network in Kolkata, Bengaluru, Pune,
Coimbatore, Visakhapatnam, Vadodara, Jaipur
info@inovance.ind.in

France-Bordeaux
Tel: +33 (0) 5594 01050
sales.fr@inovance.eu

South Korea-Seoul
Tel: +82 2 3489 8850
sales.kr@inovance.eu

